

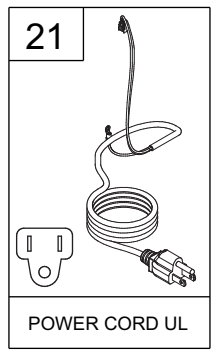
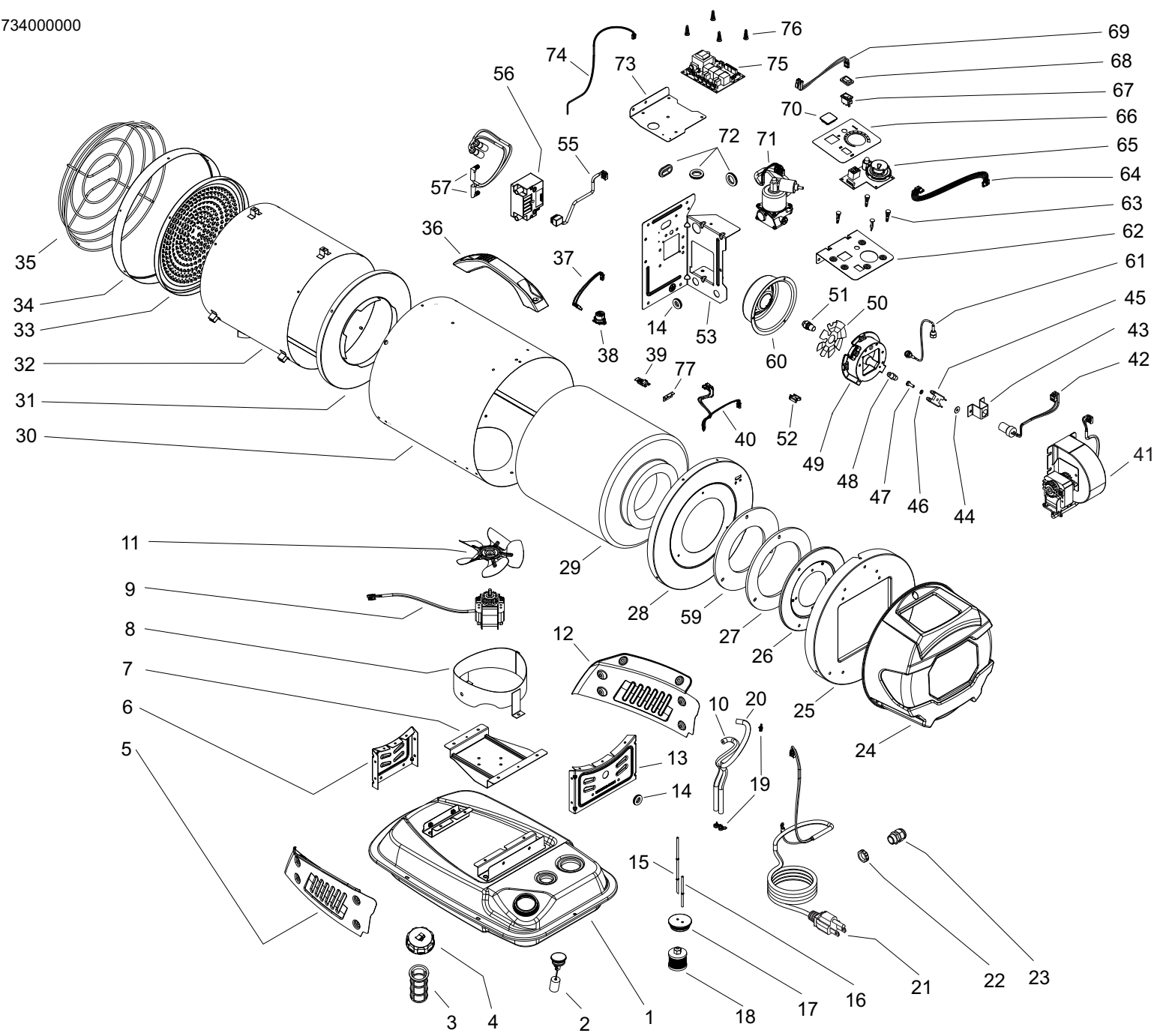
# MODEL XL6 - 120 V / 60 Hz

## UNIT 1

## ILLUSTRATED PARTS BREAKDOWN

From serial number: 21734000000

Rev.A - July 2014



# MODEL XL6 - 120 V / 60 Hz

UNIT 2

PARTS LIST

POS.	Code NR	Description	Rev.A - July 2014
1	4201.000	TANK COMPLETE	
2	4260.006	FUEL GAUGE	
3	4290.026	TANK FILTER	
<b>4</b>	4100.052	COMPLETE TANK CAP	
5	4201.013	LATERAL LEFT PANEL	
6	4201.007	FRONT BRACKET SHELL SUPPORT	
7	4201.064	MOTOR SUPPORT BRACKET	
8	4201.018	COMPLETE CONVEYOR	
<b>9</b>	4260.146	VENTILATION MOTOR WITH CABLE	
10	4201.061	FUEL PIPE IN PUMP-FILTER	
11	4201.065	FAN	
12	4201.011	LATERAL RIGHT PANEL	
13	4201.009	REAR BRACKET SHELL SUPPORT	
14	4290.052	BLACK PVC CABLE FEEDTHROUGH Ø18X2	
15	4201.059	FUEL PIPE IN	
16	4201.060	FUEL PIPE OUT	
17	4201.055	RUBBER BUSH	
18	4290.025	PAPER FILTER	
19	4290.027	CLAMPS HOSE	
20	4201.062	FUEL PIPE OUT PUMP-FILTER	
<b>21</b>	4201.226	POWER CORD UL	
22	4290.047	LOCKNUT NYLON	
23	4290.046	STRAIN RELIEF BUSHING	
<b>24</b>	4201.230	COVER	
25	4201.077	REAR PLATE COMPLETE	
26	4201.031	FLANGE MOLDED	
27	4201.032	GASKET OF CERAMIC FIBER	
28	4201.082	BOTTOM PLATE	
29	4201.044	CHAMBER INSULATOR	
30	4201.021	SHELL	
31	4201.040	REAR COVER	
32	4201.081	COMBUSTION CHAMBER WITH BRACKET	
33	4201.045	HEATING PLATE	
34	4201.074	FRONT SHELL RING	
35	4201.046	FRONT GRILL	
<b>36</b>	4201.231	PLASTIC HANDLE	
<b>37</b>	4201.297	WIRE SENSOR TILTING	
38	4260.110	ANTI-TILTING SWITCH	
39	4260.109	OVER-HEAT THERMOSTAT 90°C	
<b>40</b>	4201.290	WIRE OVER-HEAT THERMOSTAT	
<b>41</b>	4260.147	MOTOR CENTRIFUGAL COMBUSTION	
<b>42</b>	4201.260	PHOTOCELL	
<b>43</b>	4201.259	PHOTOCELL BRACKET	
44	4290.012	WASHER CERAMIC FIBER	
45	4201.035	BIFILAR ELECTRODES	
46	4290.014	ELASTIC WASHER GROWER	
47	4290.013	SCREW	
48	4290.053	CONNECTION STRAIGHT	

ESP00301

# MODEL XL6 - 120 V / 60 Hz

UNIT 3

PARTS LIST

POS.	Code NR	Description	Rev.A - July 2014
49	4201.033	BURNER HEAD	
50	4201.034	TURBO DISK	
51	4260.001	NOZZLE 0,40 GPH 80° H LE	
52	4290.058	PLASTIC CONDUIT	
53	4201.135	LATERAL PLATE SUPPORT	
55	4260.009	TRANSFORMER CABLE	
<b>56</b>	4260.143	TRANSFORMER HT	
<b>57</b>	4201.228	HIGH TENSION CABLE	
59	4201.139	GASKET OF CERAMIC FIBER	
60	4201.030	DIFFUSER	
61	4201.052	OIL SUPPLY	
62	4201.078	SUPPORT DISPLAY-BOARD	
63	4290.028	SPACER DISPLAY-BOARD	
<b>64</b>	4201.293	WIRE DISPLAY PC-BOARD	
<b>65</b>	4201.263	DISPLAY BOARD	
66	4201.069	FRONT LABEL	
67	4290.029	ROCKER SWITCH 10A	
68	4290.030	SWITCH COVER	
<b>69</b>	4201.289	WIRE ROCKER SWITCH	
70	4201.068	COVER DISPLAY	
<b>71</b>	4260.141	SOLENOID PUMP	
72	4290.003	CABLE FEEDTHROUGH	
73	4201.027	PLATE SUPPORT	
74	4201.093	WIRE SENSOR TEMPERATURE	
<b>75</b>	4201.234	PC BOARD	
76	4290.021	SPACER PC-BOARD	
77	4201.199	THERMOSTAT BRACKET	

## RECOMMENDED SPARE PARTS

POS.	Code NR	Description	Rev.A - July 2014
3	4290.026	TANK FILTER	
<b>9</b>	4260.146	VENTILATION MOTOR WITH CABLE	
10	4201.061	FUEL PIPE IN PUMP-FILTER	
20	4201.062	FUEL PIPE OUT PUMP-FILTER	
29	4201.044	CHAMBER INSULATOR	
38	4260.110	ANTI-TILTING SWITCH	
39	4260.109	OVER-HEAT THERMOSTAT 90°C	
41	4260.147	MOTOR CENTRIFUGAL COMBUSTION	
51	4260.001	NOZZLE 0,40 GPH 80° H LE	
<b>56</b>	4260.143	TRANSFORMER HT	
<b>65</b>	4201.263	DISPLAY BOARD	
<b>71</b>	4260.141	SOLENOID PUMP	
<b>75</b>	4201.234	PC BOARD	

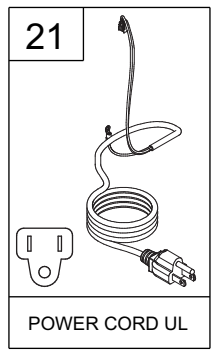
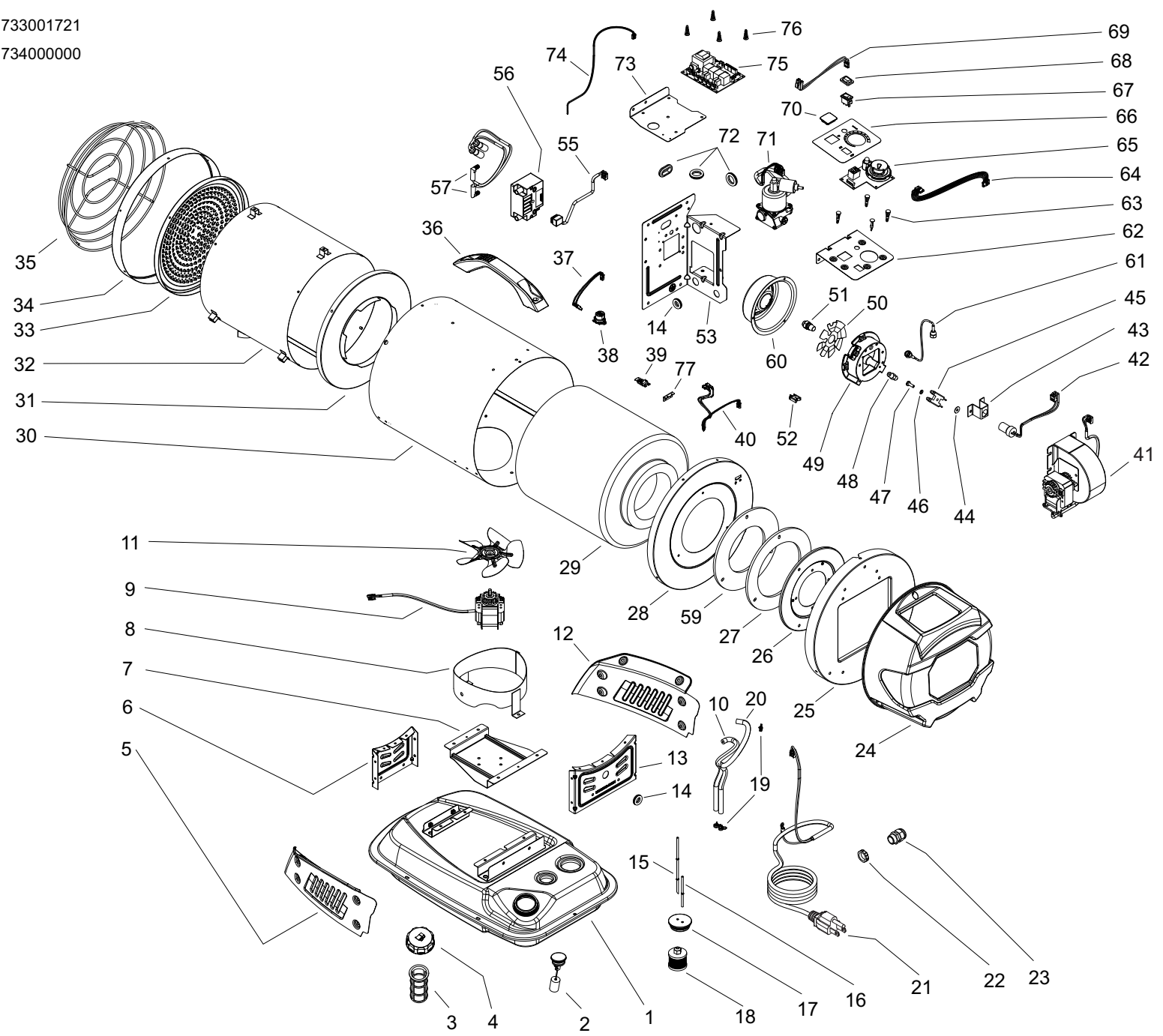
# MODEL XL6 - 120 V / 60 Hz

## UNIT 1

## ILLUSTRATED PARTS BREAKDOWN

From serial number: 21733001721  
From serial number: 21734000000

Rev.- - Oct. 2013



# MODEL XL6 - 120 V / 60 Hz

UNIT 2

PARTS LIST

POS.	Code NR	Description	Rev. - - Oct. 2013
1	4201.000	TANK COMPLETE	
2	4260.006	FUEL GAUGE	
3	4290.026	TANK FILTER	
4	4260.007	COMPLETE TANK CAP	
5	4201.013	LATERAL LEFT PANEL	
6	4201.007	FRONT BRACKET SHELL SUPPORT	
7	4201.064	MOTOR SUPPORT BRACKET	
8	4201.018	COMPLETE CONVEYOR	
9	4260.146	VENTILATION MOTOR WITH CABLE	
10	4201.061	FUEL PIPE IN PUMP-FILTER	
11	4201.065	FAN	
12	4201.011	LATERAL RIGHT PANEL	
13	4201.009	REAR BRACKET SHELL SUPPORT	
14	4290.052	BLACK PVC CABLE FEEDTHROUGH Ø18X2	
15	4201.059	FUEL PIPE IN	
16	4201.060	FUEL PIPE OUT	
17	4201.055	RUBBER BUSH	
18	4290.025	PAPER FILTER	
19	4290.027	CLAMPS HOSE	
20	4201.062	FUEL PIPE OUT PUMP-FILTER	
21	4201.226	POWER CORD UL	
22	4290.047	LOCKNUT NYLON	
23	4290.046	STRAIN RELIEF BUSHING	
24	4201.230	COVER	
25	4201.077	REAR PLATE COMPLETE	
26	4201.031	FLANGE MOLDED	
27	4201.032	GASKET OF CERAMIC FIBER	
28	4201.082	BOTTOM PLATE	
29	4201.044	CHAMBER INSULATOR	
30	4201.021	SHELL	
31	4201.040	REAR COVER	
32	4201.081	COMBUSTION CHAMBER WITH BRACKET	
33	4201.045	HEATING PLATE	
34	4201.074	FRONT SHELL RING	
35	4201.046	FRONT GRILL	
36	4201.231	PLASTIC HANDLE	
37	4201.200	WIRE SENSOR TILTING	
38	4260.110	ANTI-TILTING SWITCH	
39	4260.109	OVER-HEAT THERMOSTAT 90°C	
40	4201.201	WIRE OVER-HEAT THERMOSTAT	
41	4260.147	MOTOR CENTRIFUGAL COMBUSTION	
42	4201.056	PHOTOCELL	
43	4201.037	PHOTOCELL BRACKET	
44	4290.012	WASHER CERAMIC FIBER	
45	4201.035	BIFILAR ELECTRODES	
46	4290.014	ELASTIC WASHER GROWER	
47	4290.013	SCREW	
48	4290.053	CONNECTION STRAIGHT	

ESP00301

# MODEL XL6 - 120 V / 60 Hz

UNIT 3

PARTS LIST

POS.	Code NR	Description	Rev. - - Oct. 2013
49	4201.033	BURNER HEAD	
50	4201.034	TURBO DISK	
51	4260.001	NOZZLE 0,40 GPH 80° H LE	
52	4290.058	PLASTIC CONDUIT	
53	4201.135	LATERAL PLATE SUPPORT	
55	4260.009	TRANSFORMER CABLE	
56	4260.143	TRANSFORMER HT	
57	4201.228	HIGH TENSION CABLE	
59	4201.139	GASKET OF CERAMIC FIBER	
60	4201.030	DIFFUSER	
61	4201.052	OIL SUPPLY	
62	4201.078	SUPPORT DISPLAY-BOARD	
63	4290.028	SPACER DISPLAY-BOARD	
64	4201.094	WIRE DISPLAY PC-BOARD	
65	4201.066	DISPLAY BOARD	
66	4201.069	FRONT LABEL	
67	4290.029	ROCKER SWITCH 10A	
68	4290.030	SWITCH COVER	
69	4201.092	WIRE ROCKER SWITCH	
70	4201.068	COVER DISPLAY	
71	4260.141	SOLENOID PUMP	
72	4290.003	CABLE FEEDTHROUGH	
73	4201.027	PLATE SUPPORT	
74	4201.093	WIRE SENSOR TEMPERATURE	
75	4201.234	PC BOARD	
76	4290.021	SPACER PC-BOARD	
77	4201.199	THERMOSTAT BRACKET	

## RECOMMENDED SPARE PARTS

POS.	Code NR	Description	Rev. - - Oct. 2013
3	4290.026	TANK FILTER	
9	4260.118	VENTILATION MOTOR WITH CABLE	
10	4201.061	FUEL PIPE IN PUMP-FILTER	
20	4201.062	FUEL PIPE OUT PUMP-FILTER	
29	4201.044	CHAMBER INSULATOR	
38	4260.110	ANTI-TILTING SWITCH	
39	4260.109	OVER-HEAT THERMOSTAT 90°C	
41	4260.116	MOTOR CENTRIFUGAL COMBUSTION	
51	4260.001	NOZZLE 0,40 GPH 80° H LE	
56	4260.143	TRANSFORMER HT	
65	4201.066	DISPLAY BOARD	
71	4260.141	SOLENOID PUMP	
75	4201.207	PC BOARD	